

Original BMW Accessories. Installation Instructions.



M Performance Automatic Transmission Pedal Facing Retrofit

Retrofit kit number

35 00 2 232 278 Automatic transmission stainless steel pedals

Installation time

The installation time is **approx. 0.5 hours**. This may vary depending on the condition of the car and the equipment in it.

Important information

These installation instructions are primarily designed for use within the BMW dealership organisation and by authorised BMW service companies.

In any event, the target group for these installation instructions is specialist personnel trained on BMW cars with the appropriate specialist knowledge.

All work must be completed using the latest BMW repair manuals, wiring diagrams, servicing manuals and work instructions, in a rational order, using the prescribed tools (special tools) and observing current health and safety regulations.

If you experience installation or function problems, restrict troubleshooting to approx. 0.5 hours for mechanical work and 1.0 hour for electrical work.

To avoid unnecessary extra work and/or costs, send an inquiry straight away to the technical parts support team via the Aftersales Assistance Portal (ASAP).

Quote the following information:

- Chassis number,
- retrofit kit part number,
- a detailed description of the problem,
- any work already carried out.

Do not archive the hard copy of these installation instructions since daily updates are provided via ASAP!

Pictograms



Denotes instructions that draw your attention to dangers.



Denotes instructions that draw your attention to special features.

◀ Denotes the end of the instruction or other text.

Installation information

All pictures show LHD cars; proceed accordingly on RHD cars.

Bonding surfaces must be cleaned with cleaning agent and must be completely clean, dry and free from grease or dust. The ambient temperature for bonding work must be no lower than 15 °C and no higher than 35 °C.

During installation, the footwell must be protected from dirt and soiling.

Before removing the adhesive film, the installation of the M Performance accelerator pedal should first be tried out in order to avoid any mistakes when installing.

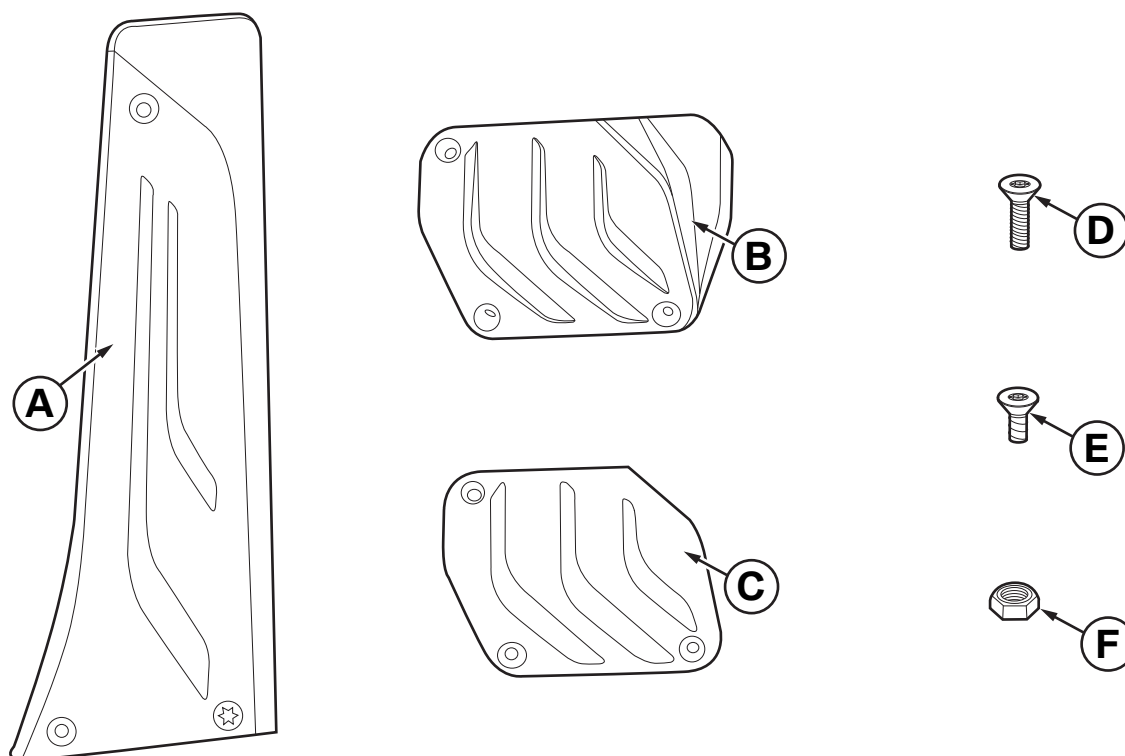
Special tools required

none

Table of contents

Section	Page
1 M Performance automatic transmission pedal facing parts list.....	4
2 Preparatory work	5
3 Installing the M Performance automatic transmission pedal facing.....	6

1. M Performance automatic transmission pedal facing parts list



F30 0104 V

Legend

- A** M Performance accelerator pedal stainless steel facing
- B** M Performance brake pedal rubber facing
- C** M Performance brake pedal stainless steel facing
- D** Torx screw M4 x 15 (3 x)
- E** Torx screw K4 x 10, self-tapping (2 x)
- F** Self-locking hexagon nut M4 (3 x)

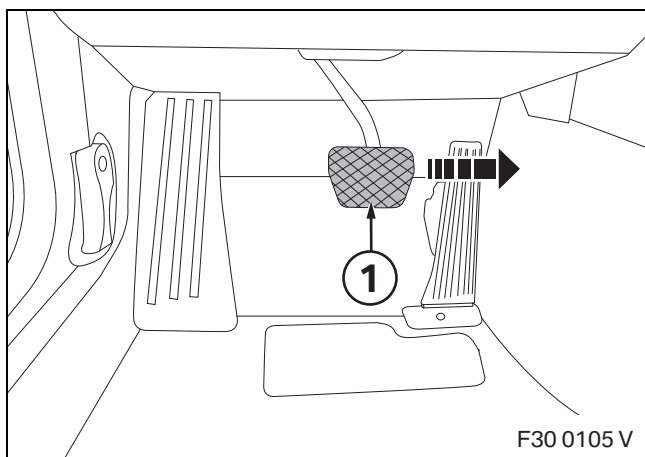
2. Preparatory work

The following components must be removed first of all

ISTA No.

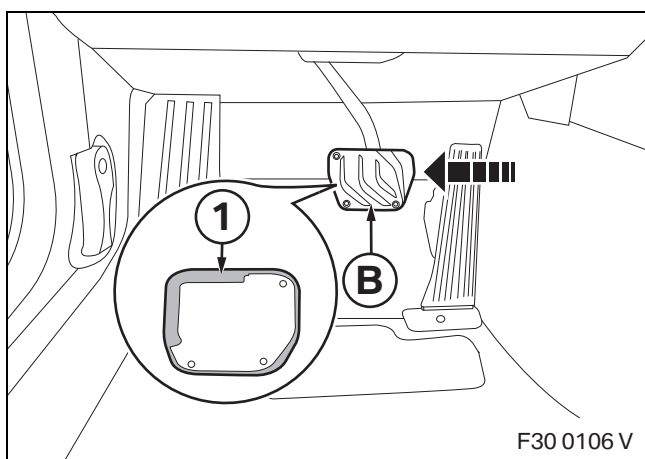
none

3. Installing the M Performance automatic transmission pedal facing



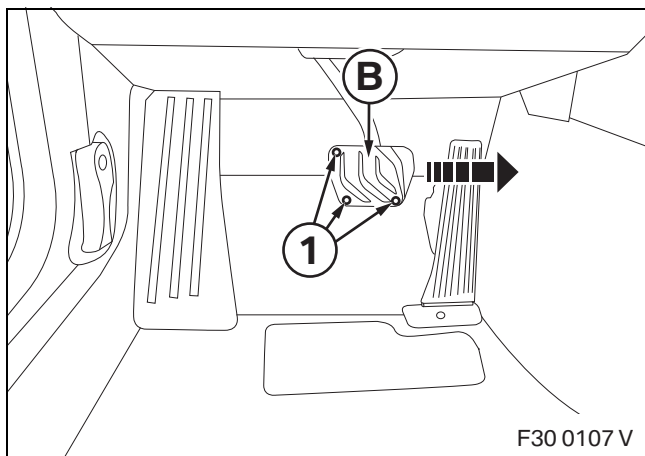
▶ The original facings can be removed from the pedals without the need for any tools. On the brake pedal (1), slip off the left-hand side and pull it to the right. The same essentially applies to the M Performance rubber facing. ◀

Remove the original facing from the brake pedal (1).



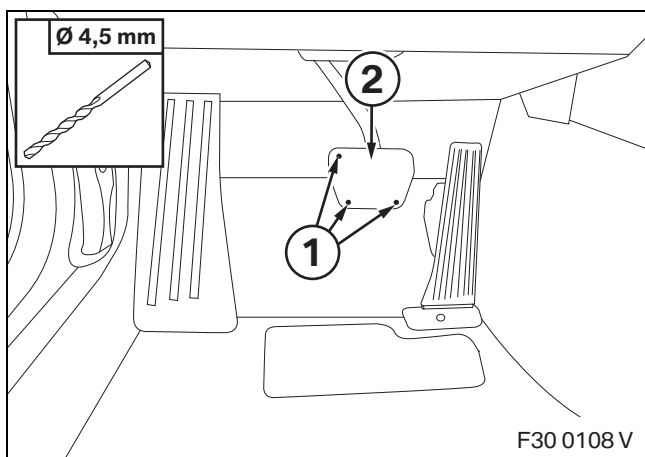
Attach M Performance brake pedal rubber facing **B** to the brake pedal.

The rubber lug (1) on the facing must be pushed over the pedal.



Transfer the drill holes (1) from M Performance brake pedal rubber facing **B** using suitable tools to the pedal.

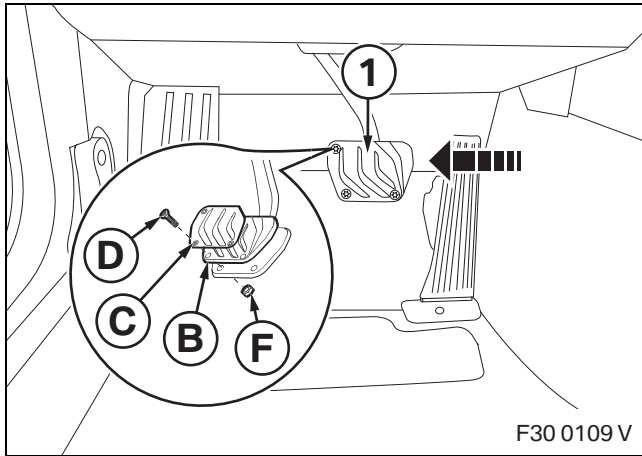
Then remove M Performance brake pedal rubber facing **A**.



▶ The footwell must be protected with suitable materials against any dirt or soiling. ◀

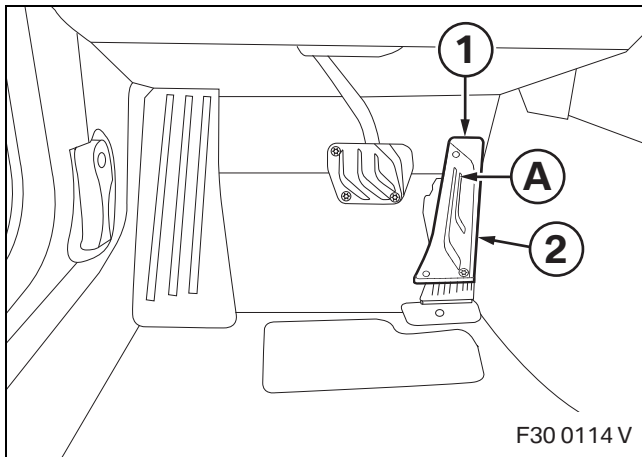
Drill through the marked positions of the drill holes (1) on the brake pedal (2) with a **4.5 mm diameter** drill bit.

3. Installing the M Performance automatic transmission pedal facing



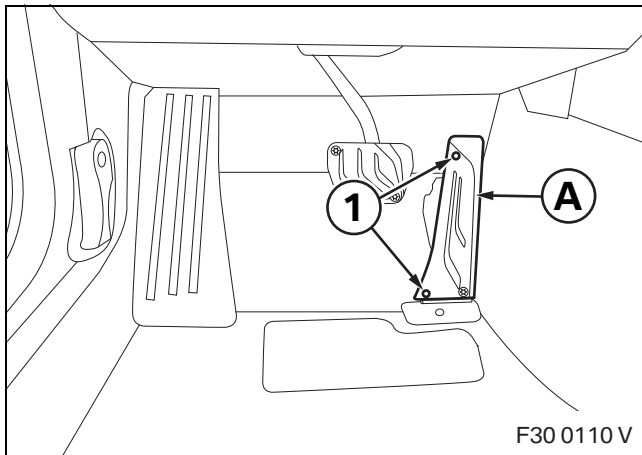
Position M Performance brake pedal rubber facing **B** on the side and place M Performance brake pedal stainless steel facing **C** as shown on the brake pedal (1) and align it appropriately.

Screw Torx screws **D** into place from the front using hexagon nuts **F**.



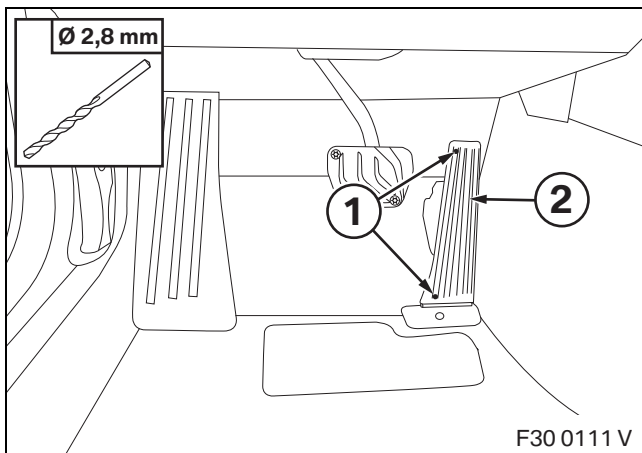
First place M Performance accelerator pedal stainless steel facing **A** on the upper edge (1) of the accelerator pedal and align it accordingly.

Then align M Performance accelerator pedal stainless steel facing **A** on the right side edge (2) of the accelerator pedal.



Transfer the drill holes (1) from M Performance accelerator pedal stainless steel facing **A** using suitable tools to the accelerator pedal.

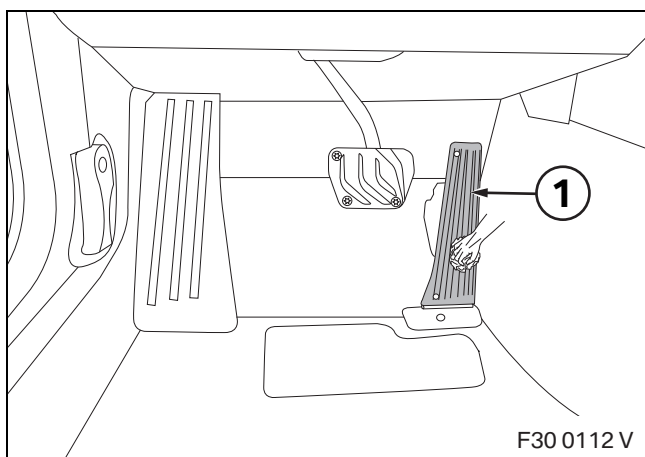
Then remove M Performance accelerator pedal stainless steel facing **A**.



⚠ The footwell must be protected with suitable materials against any dirt or soiling. ◀

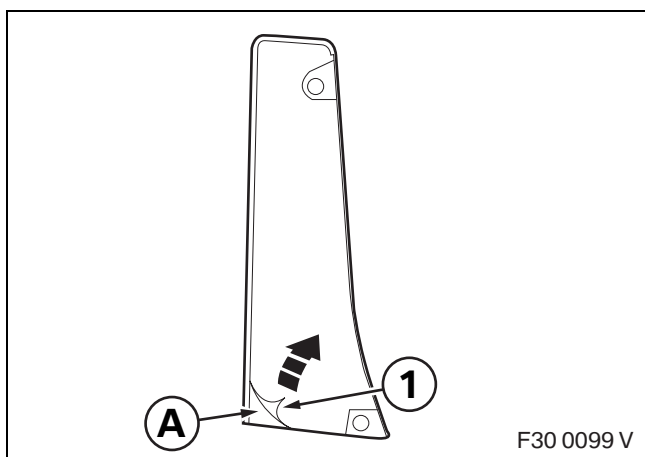
Drill through the marked positions of the drill holes (1) on the accelerator pedal (2) with a **2.8 mm diameter** drill bit.

3. Installing the M Performance automatic transmission pedal facing



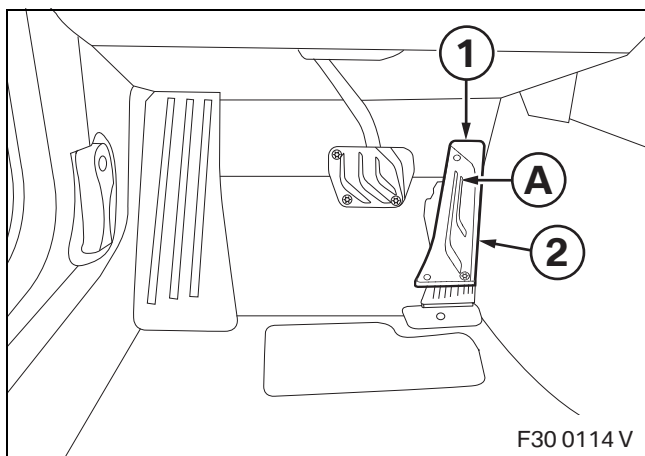
▶ The areas being bonded must be completely dry, clean and free from wax or grease. ◀

Clean the accelerator pedal (1) with suitable agents.



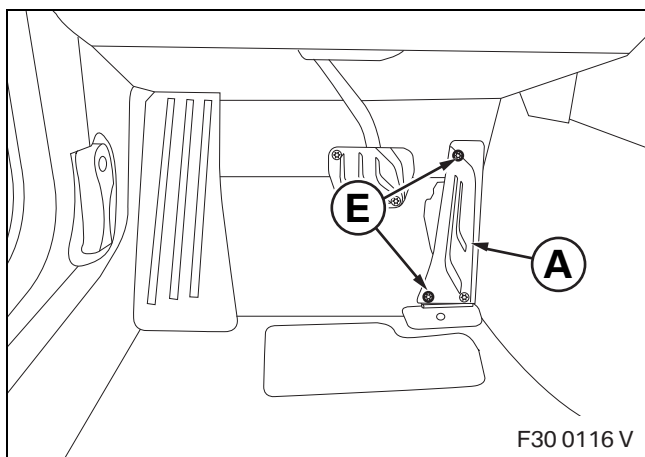
▶ Before removing the adhesive film, the installation of the M Performance accelerator pedal should first be tried out in order to avoid any mistakes when installing. ◀

Remove the backing film (1) on the reverse of M Performance accelerator pedal stainless steel facing **A**.



First place M Performance accelerator pedal stainless steel facing **A** on the upper edge (1) of the accelerator pedal and align it accordingly.

Then align M Performance accelerator pedal stainless steel facing **A** on the right side edge (2) of the accelerator pedal.



Subsequently press M Performance accelerator pedal stainless steel facing **A** firmly onto the accelerator and screw into position using Torx screws **E**.

▶ The adhesive strip only becomes fully effective after around 24 hours. ◀